

Sales/Admin Office
 5110 Atlantic Avenue
 Raleigh, NC 27616
 (855) 324-3085



Shipping/Mfg Location
 4654 East Markle Road
 Markle, IN 46770

Date: _____

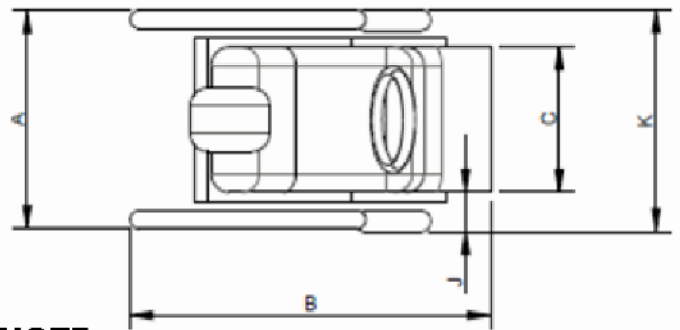
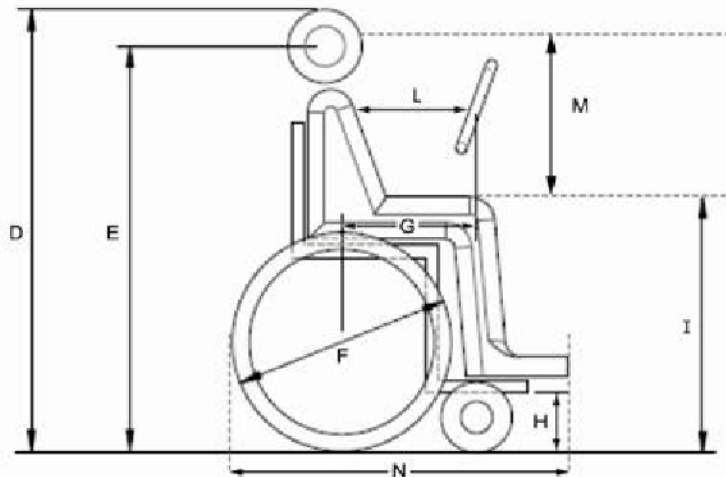
Manual Chair Measuring Guide

Customer Name: _____
 Customer Phone: _____
 Chair Brand: _____
 Chair Weight: _____

Dealer Name: _____
 Dealer Phone: _____
 Chair Model: _____
 User Weight: _____ User Height: _____

Vehicle Make:	Model:	Gas ___ Diesel ___
Vehicle Drive Train: 2WD ___ 4WD ___	Vehicle Age: New ___ Used (year) ___	
Type of Conversion Desired: Driver-Side ___ Passenger-Side ___		
Cab Style: Extended ___ Double ___ Crew ___ Sunroof? Yes ___ No ___ (2" less headroom)		
Center console: 40-20-40 ___ Full console ___ ***SUVs can't retain converted side running board***		

	Description	Customer Value		Description	Customer Value
A	Overall Width (outside to outside)		H	Foot Rest Height	
B	Overall Length		I	Knee Height	
C	Foot Rest Width (outside to outside)		J	Foot Rest Offset	
D	Overall Height		K	Front Tire Width (outside to outside)	
E	Sightline to Floor		L	Chest to Steering Wheel	
F	Largest Wheel Diameter		M	Top of Legs to Sightline	
G	Wheel Axle to Center Steering Wheel		N	Back to Front of Toes	



NOTE:
 Please submit photos of customer in the manual wheelchair to be used.

 Authorize Dealer/Sales Consultant Date

 Customer Sign-Off

 Date

This guide is to be used to determine if the client fits in the vehicle with the chair submitted. It is not to be used to determine if the driving position will be satisfactory to the client. ATC shall not be held liable for driving position issues.