

Sales/Admin Office
 5110 Atlantic Avenue
 Raleigh, NC 27616
 (855) 324-3085



Shipping/Mfg Location
 4654 East Markle Road
 Markle, IN 46770

Power Chair Quantifier Sheet

Date: _____

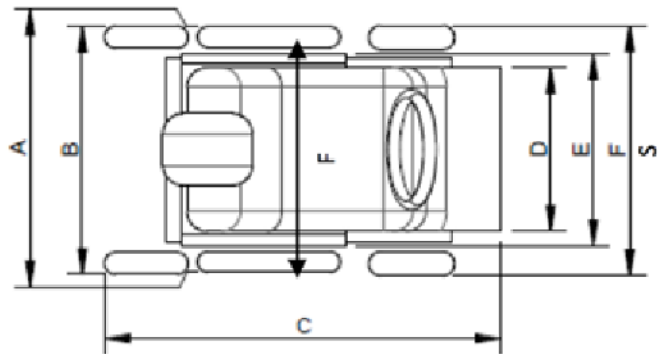
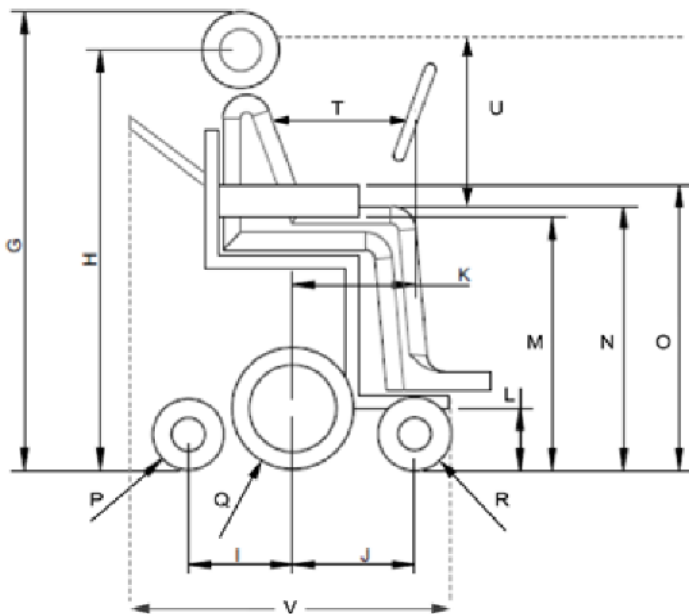
Customer Name: _____ Dealer Name: _____

Chair Brand: _____ Chair Model: _____

Chair Weight: _____ User Weight: _____

Vehicle Make: _____	Model: _____
Vehicle Drive Train: 2WD _____ 4WD _____	Vehicle Age: New _____ Used (year) _____
Type of Conversion Desired: Driver-Side _____ Passenger-Side _____	
Cab Style: Extended _____ Double _____ Crew _____ Sunroof? Yes _____ No _____	

	Description	Customer Value		Description	Customer Value
A	Mid Tire Width (outside to outside)		L	Floor to Footrest	
B	Rear Tire Width (outside to outside)		M	Floor to Bottom of Armrest	
C	Overall Length/Tip of Toes		N	Floor to Top of Legs	
D	Footrest Width		O	Floor to Top of Armrest	
E	Armrest Width		P	Diameter Rear Wheels	
F	Overall Width (outside to outside)		Q	Diameter Mid Wheels	
G	Overall User Height		R	Diameter Front Wheels	
H	Sightline to Floor		S	Width of Front Tires (outside to outside)	
I	Center Wheel to Back Wheel		T	Chest to Steering Wheel	
J	Center Wheel to Front Wheel		U	Top of Legs to Sightline	
K	Wheel to Steering Wheel		V	Furthermost Back to Front of Chair	



Note: Please submit photos of customer in the power chair that will be used with conversion.

Authorize Dealer/Sales Consultant _____ Date _____

Customer Sign-Off _____ Date _____

This guide is to be used to determine if the client fits in the vehicle with the chair submitted. It is not to be used to determine if the driving position will be satisfactory to the client. ATC shall not be held liable for driving position issues.